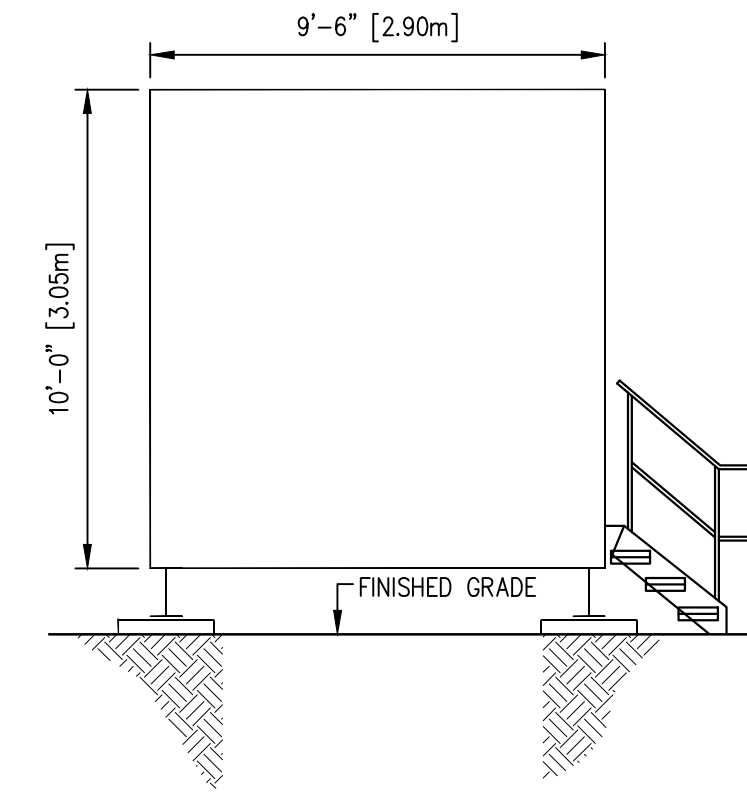


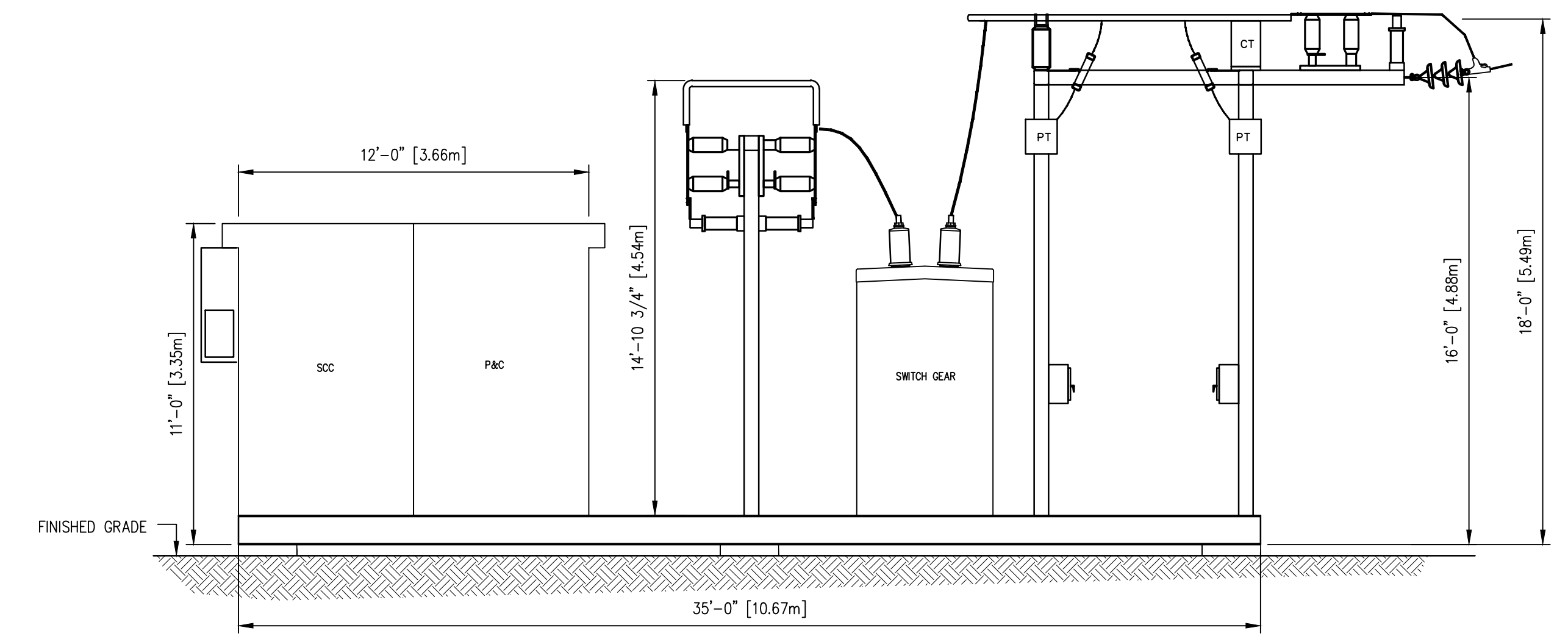
PCS SHELTER PLAN VIEW

SCALE: N.T.S.



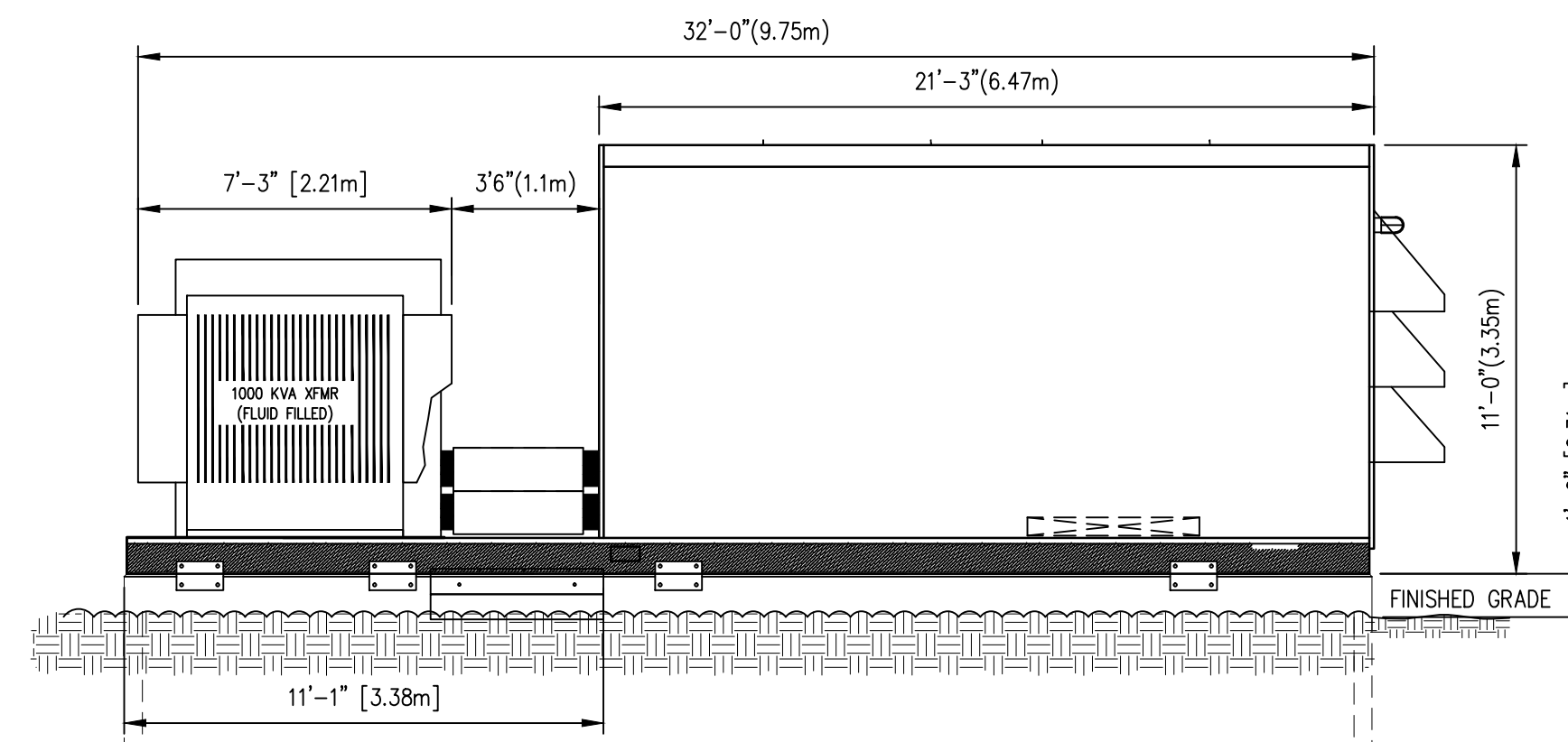
PVIS CROSS SECTION

SCALE: N.T.S.



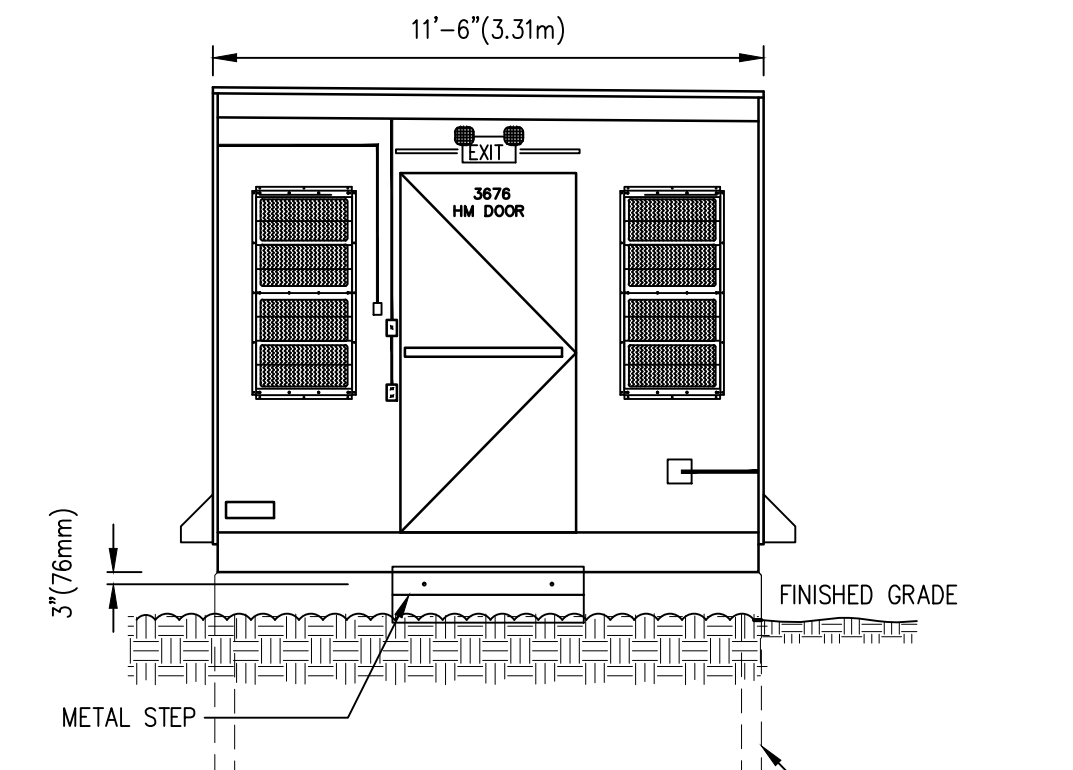
PVIS FRONT ELEVATION

SCALE: N.T.S.



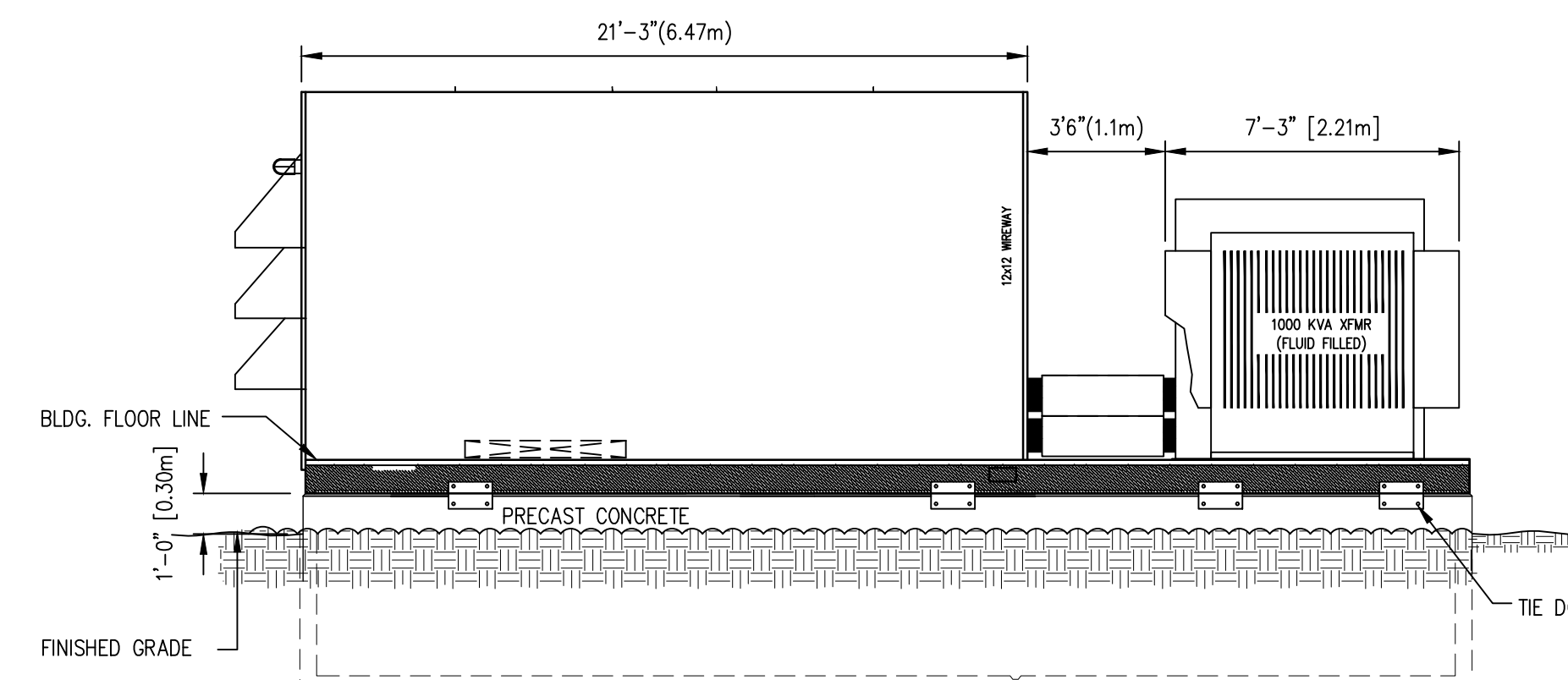
PCS SOUTH ELEVATION

SCALE: N.T.S.



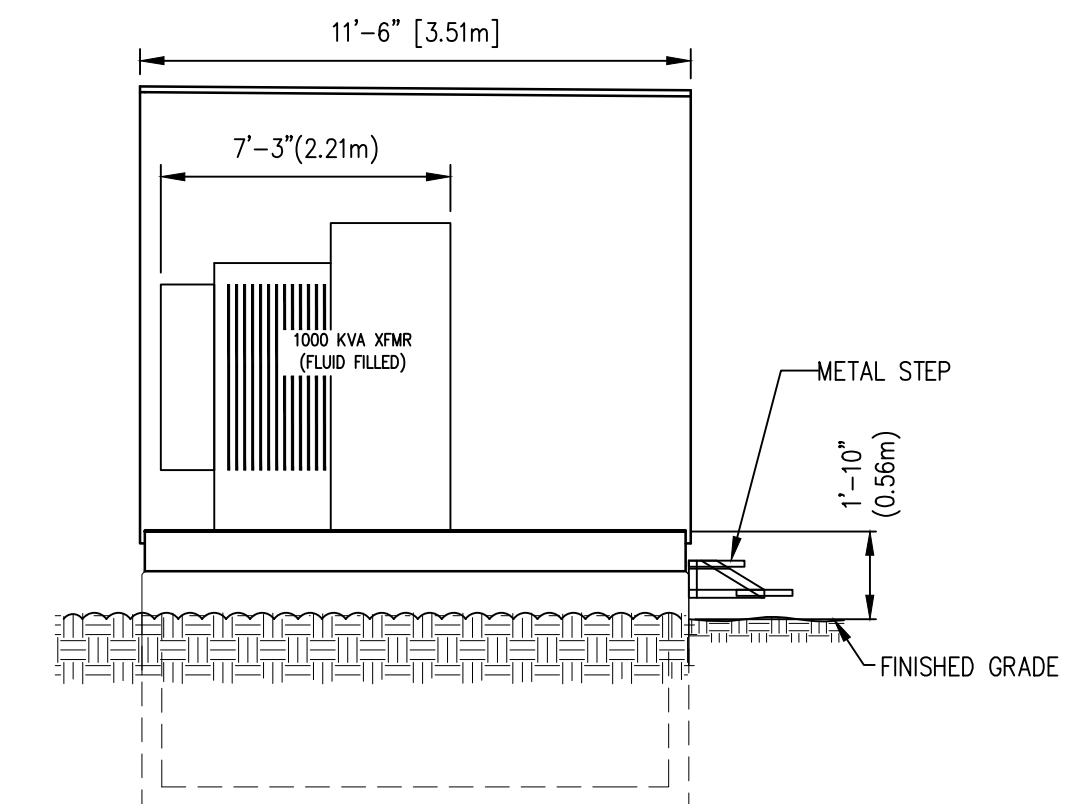
PCS EAST ELEVATION

SCALE: N.T.S.



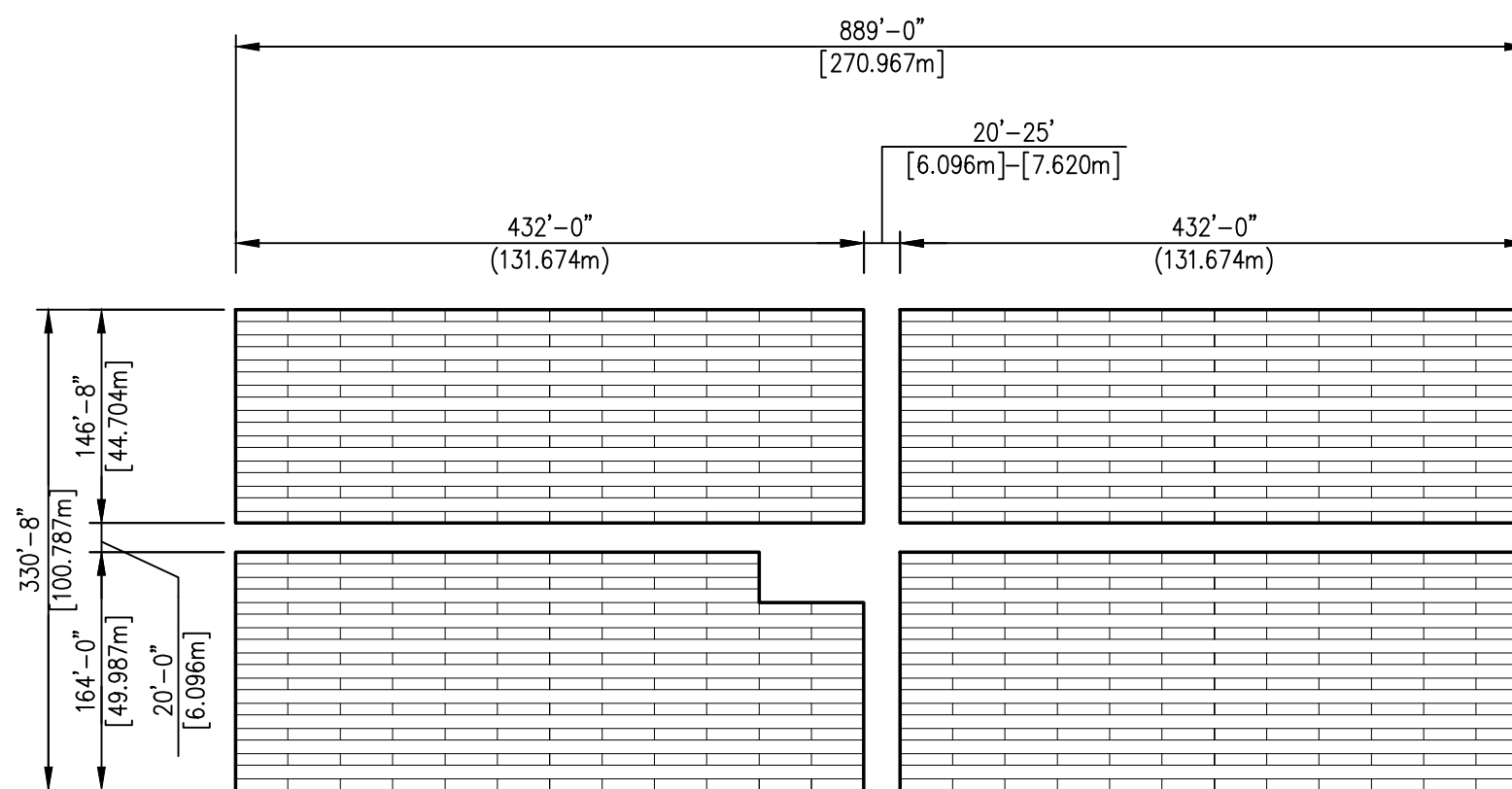
PCS NORTH ELEVATION

SCALE: N.T.S.



PCS WEST ELEVATION

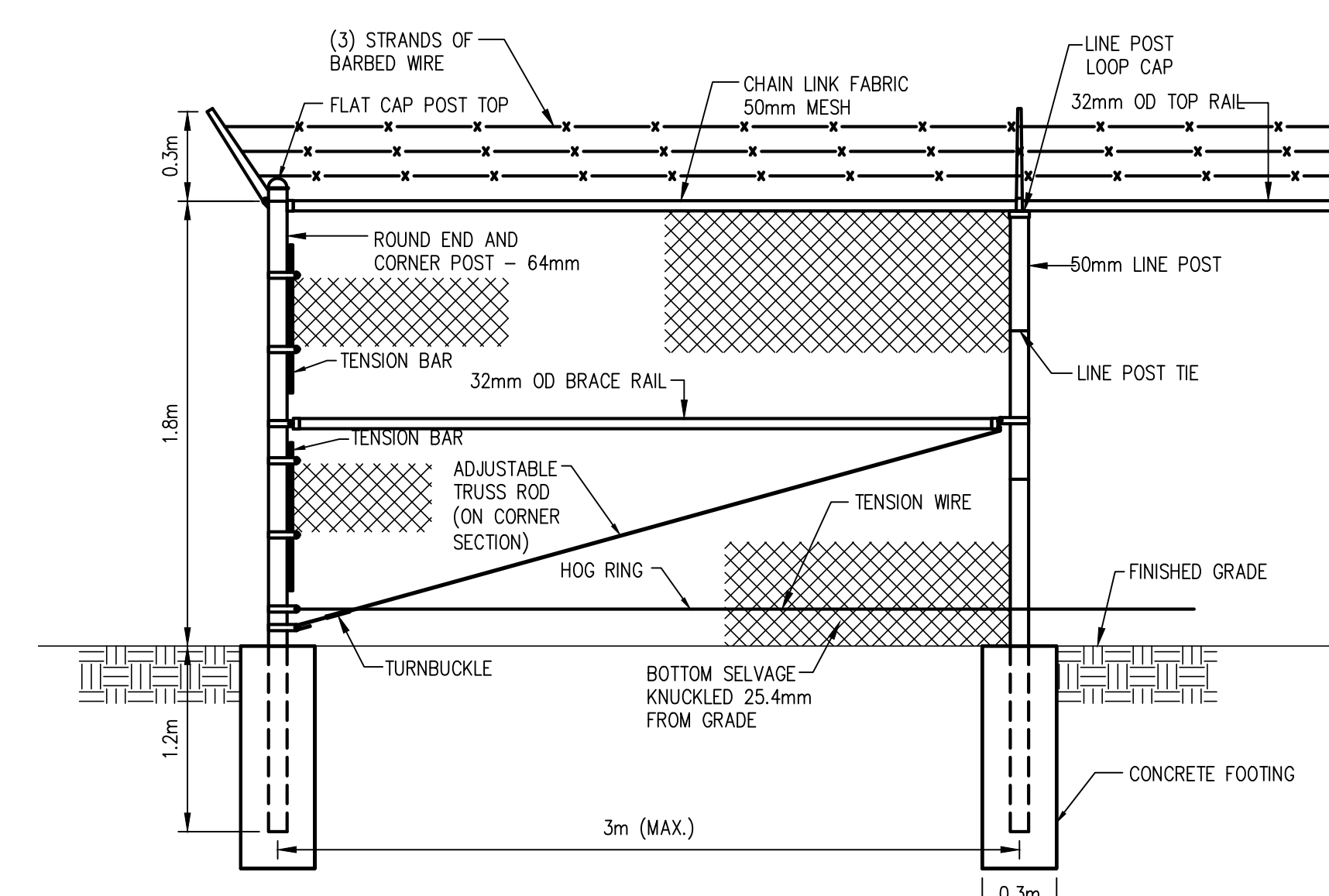
SCALE: N.T.S.



TYPICAL ARRAY LAYOUT

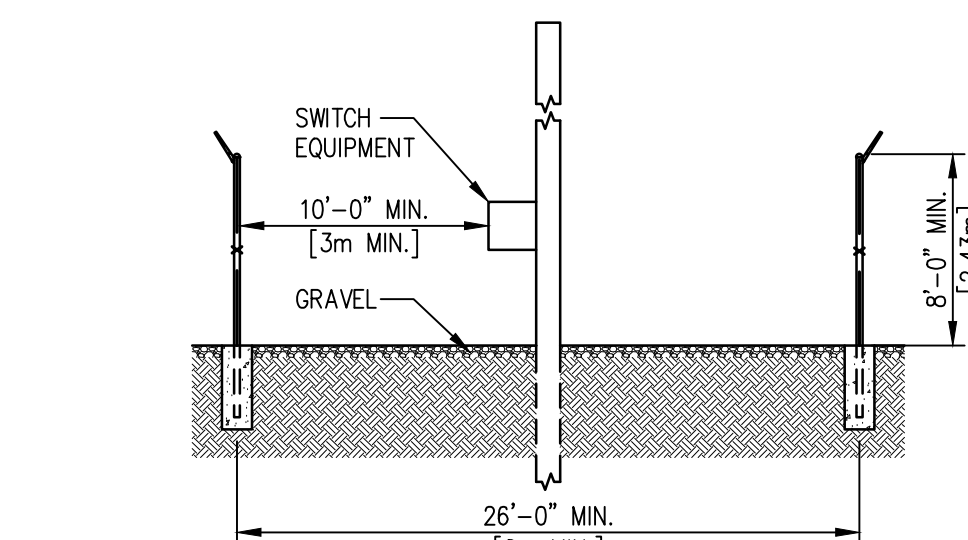
SCALE: N.T.S.

- NOTES:
- 24 ELECTRICAL TABLES PER ROW
 - 77.5 WATT MODULES SERIES 3
 - 66,96 kWdc/ROW
 - 9 MODULES PER STRING
 - 4x5 TABLES
 - 19 ROWS 17'-4" (5.28m) ROW SPACING
 - 1272.24 kW DC/L0 MW AC
 - 1.2722 DC/AC RATIO

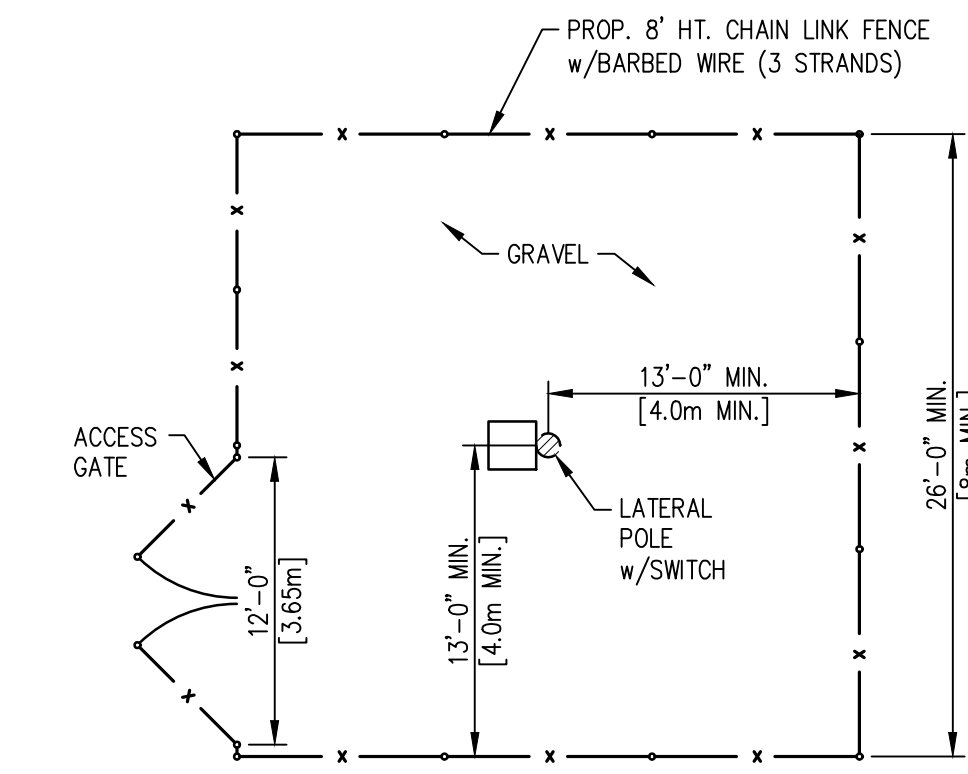


1.83m HIGH CHAIN LINK FENCE WITH BARBED WIRE TOP

SCALE: N.T.S.



SECTION



LATERAL POLE SECURITY FENCE DETAIL

SCALE: N.T.S.

NOTE:

ALL DIMENSIONS ARE APPROXIMATE AND SUBJECT TO FINAL DESIGN.

REV	DATE	REVISION DESCRIPTION	BY	CHK	APP
H	10-21-2011	RE-ISSUED FOR REA PERMIT	FWD	HK	MP
G	08-19-2010	REISSUED FOR REA PERMIT	FWD	JRR	MP
F	06-29-2010	REISSUED FOR REA PERMIT	FWD	JRR	MP
E	05-17-2010	REISSUED FOR REA PERMIT	FWD	MP	TZ
D	03-19-2010	REISSUED FOR REA PERMIT	LB	MP	JP
C	02-12-2010	REISSUED FOR REA PERMIT	MP	LB	JP
B	01-04-2010	ISSUED FOR REA PERMIT	RAR	MP	TZ
A	12-09-2009	ISSUED FOR APPROVAL	RAR	MP	TZ

First Solar
 FIRST SOLAR DEVELOPMENT (CANADA), INC.
 5115 BLACKWELL SIDEROAD
 BARNIA, ONTARIO, N7T 7H3

AMHERSTBURG TOWNSHIP OF AMHERSTBURG ESSEX COUNTY, ONTARIO

PROJECT: AMHERSTBURG SOLAR FARM
 TITLE: PCS SHELTER ELEVATIONS & FOOTPRINTS, PVCS & PVIS EQUIPMENT ARRANGEMENT PLANS AND SECTIONS

PROJ. MGR. MIKE BARANUSKY	PROJ. ENGR. JEFF PRINEAU	DR. BY RAR	CHK. BY MP	SCALE --
PROJ. DIRECTOR MARK LANGDON	DRAWING NO. 5001-0100-22	REV. H		

THIS PRINT IS NOT TO BE USED FOR CONSTRUCTION UNLESS NOTED AND SIGNED OK FOR CONSTRUCTION ABOVE LAST REVISION.